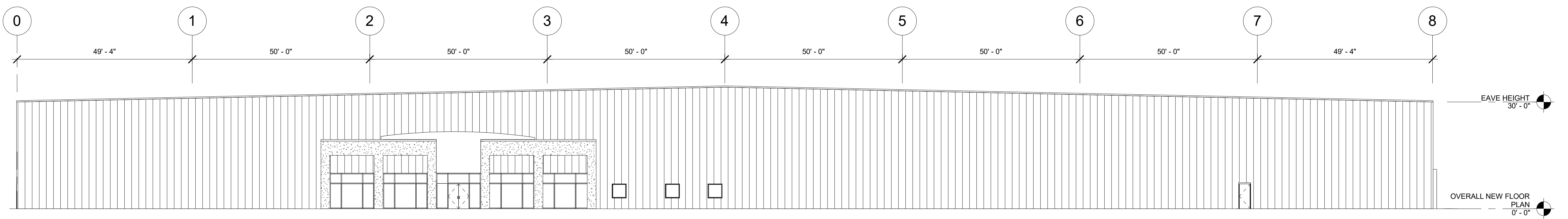
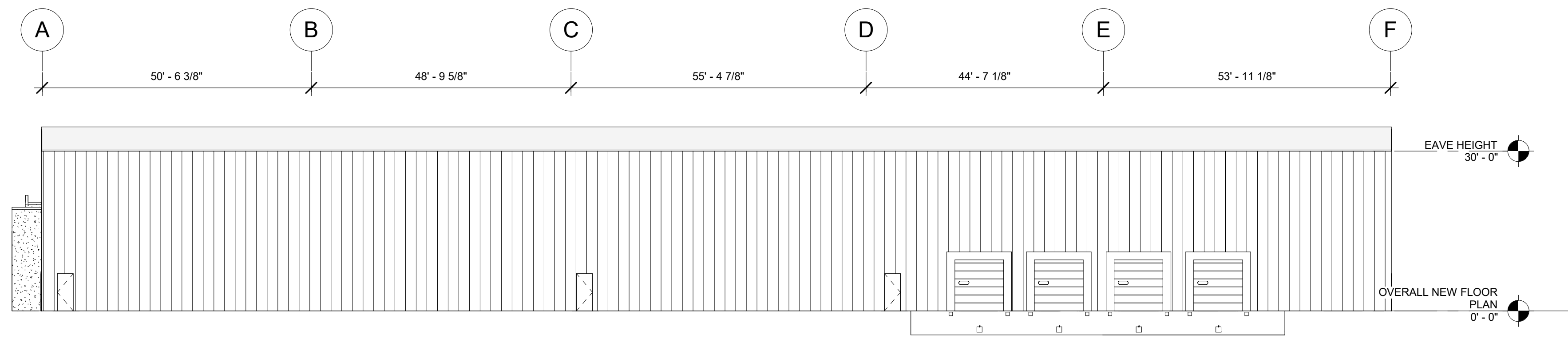


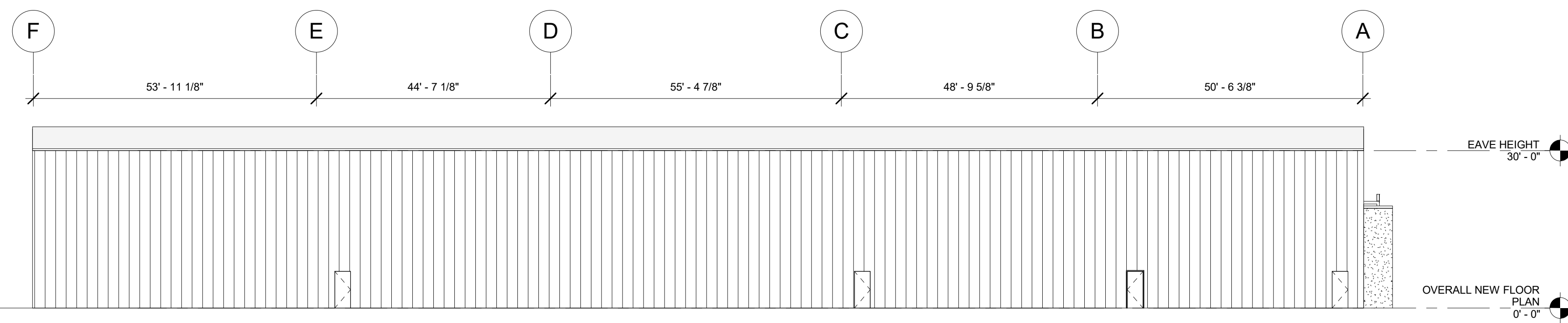
1 NEW CONSTRUCTION-FACILITY NORTH ELEVATION
1/16" = 1'-0"



2 NEW CONSTRUCTION-FACILITY SOUTH ELEVATION
1/16" = 1'-0"



3 NEW CONSTRUCTION-FACILITY EAST ELEVATION
1/16" = 1'-0"



4 NEW CONSTRUCTION-FACILITY WEST ELEVATION
1/16" = 1'-0"

REVISION DESCRIPTION	DATE

#

All designs, arrangements, and plans indicated or represented by this drawing are the property of the Architect and are to be used only for the project for which they were created and designed for use on that project only. No part of this drawing or any information shall be used by or disclosed to any person or entity, for any reason whatsoever, without the permission of the Architect. Contractor shall verify and be responsible for all dimensions and conditions on the job. Notify the Architect immediately of any variation from the drawings, and conditions shown by these drawings.

**TAYLOR COUNTY EDC
BUILD READY**
CAMPBELLSVILLE, KENTUCKY
KESLER SIMPSON ARCHITECTS, 3728 WILLOW RIDGE ROAD, LEXINGTON, KY 859-523-4324 WWW.KSA-LLC.COM

BLEVINS CONSTRUCTION, INC.
CAMPBELLSVILLE, KY
1728 Greensburg Rd
Campbellsville, KY 42718
(270) 465-3419

KESLER SIMPSON
KSA
ARCHITECTS

KSA # 201616
3-10-2017

A-200